

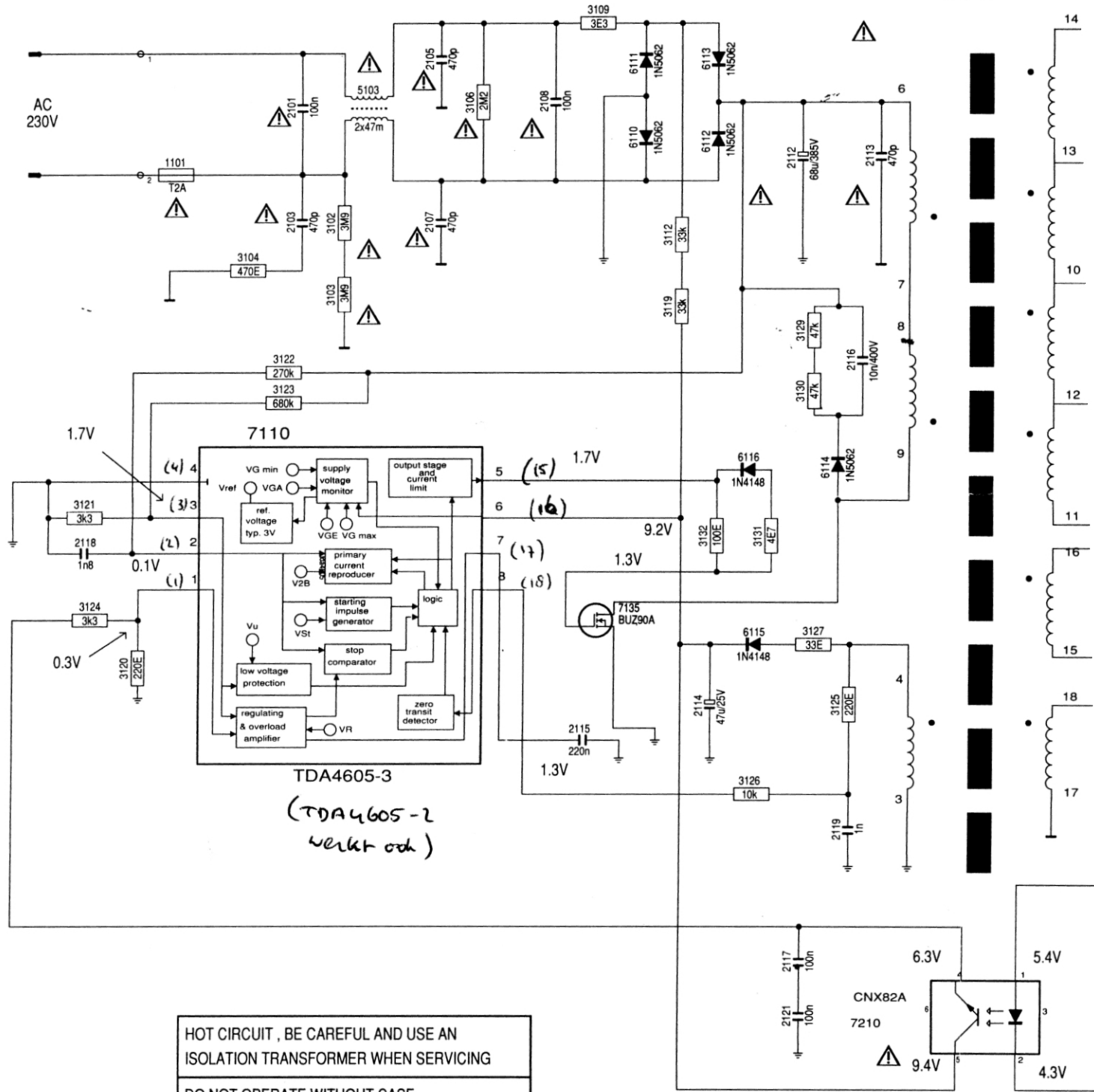
Ref: 2475

POWER SUPPLY MSM1 (Version with TDA4605 IC7110)

MM1 : FOR WD CODE WD 14 AND HIGHER  
MM2 : FOR WD CODE WD 03 AND HIGHER

SMPOWERTRANS

5114



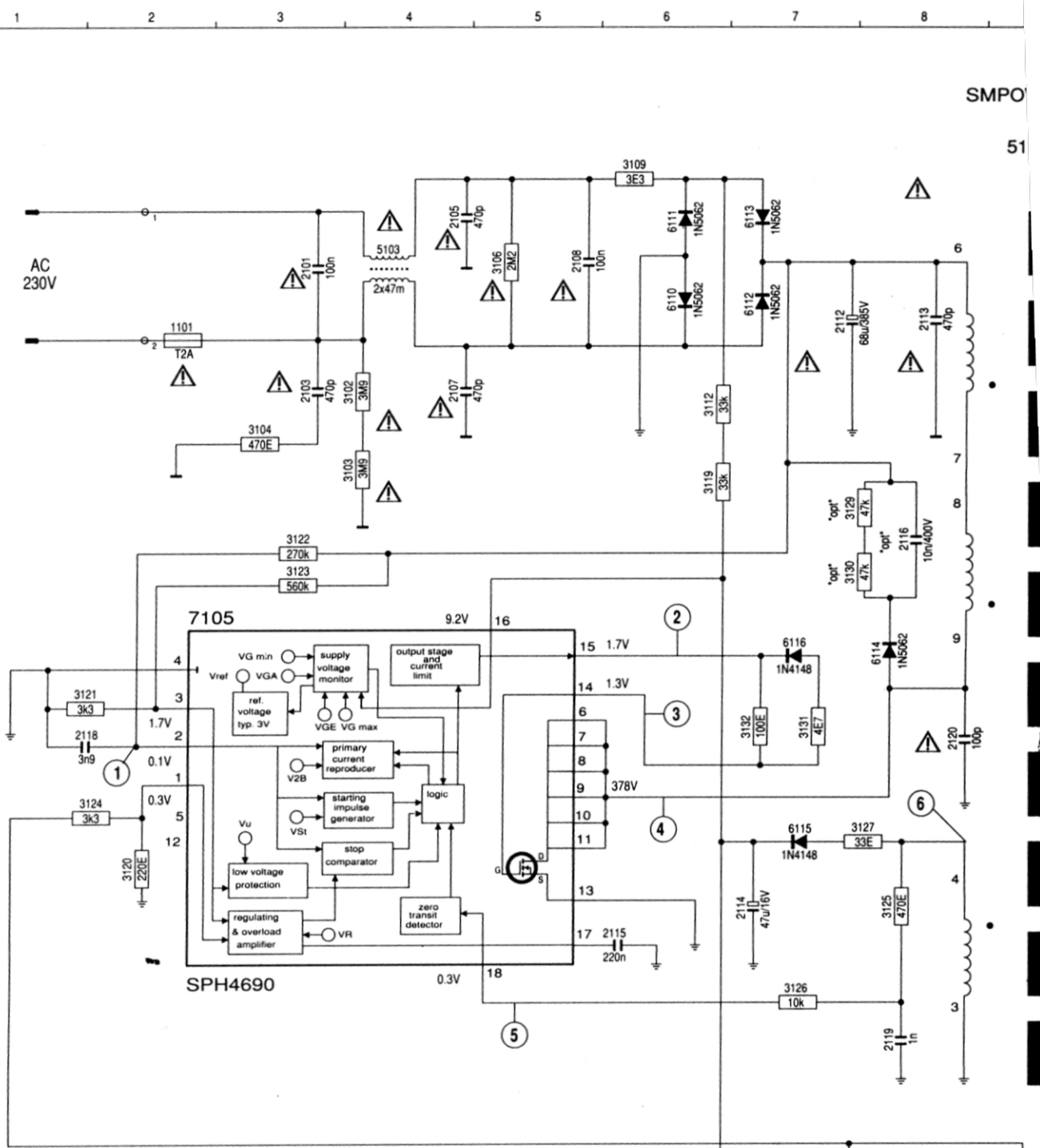
HOT CIRCUIT , BE CAREFUL AND USE AN ISOLATION TRANSFORMER WHEN SERVICING  
DO NOT OPERATE WITHOUT CASE  
CAUTION : LETHAL POTENTIALS AT PRIMARY

⊥ COLD GND  
⌋ HOT GND

VOLTAGES ARE MEASURED IN RECORD MODE

(TDA4605-2  
verlet oek)

POWER SUPPLY MSM1 (Version with SPH4690 IC7105)



HOT CIRCUIT , BE CAREFUL AND USE AN ISOLATION TRANSFORMER WHEN SERVICING  
 DO NOT OPERATE WITHOUT CASE  
 CAUTION : LETHAL POTENTIALS AT PRIMARY

⊥ COLD GND  
 ↓ HOT GND  
 Voltages are measured in reco

SMPO

51

